

FIBER MANAGEMENT SYSTEMS



Telescopic Fiber Patch Panel - 1U

The telescopic fiber optic patch panel offers excellent flexibility during mounting and installation. Mainly used for distribution and splicing of feeder/distribution fiber cables.

Constructed of high quality material ensuring very easy installation and maintenance.

Characteristic Features

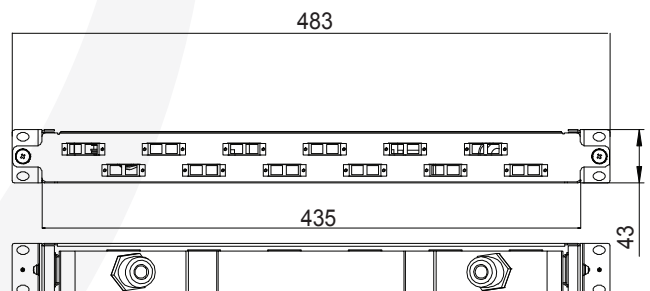
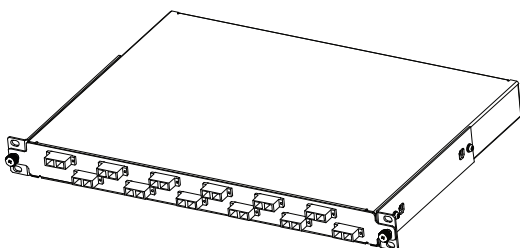
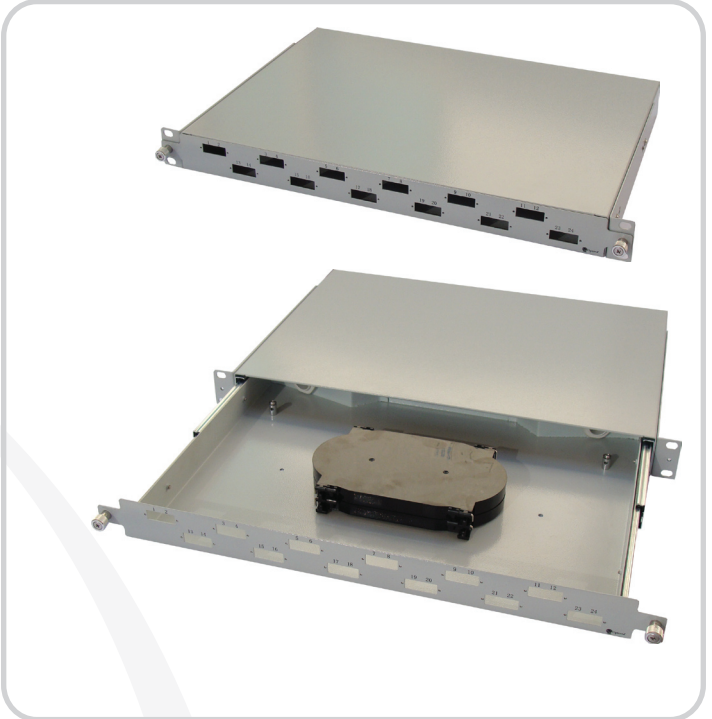
- ❖ 1U design
- ❖ 310mm depth for extra storage
- ❖ Splice tray for terminating incoming fibers to pigtails
- ❖ Telescopic tray can be fully ejected for easy splicing
- ❖ High quality locking system
- ❖ Angled cable entries to maintain bend radius
- ❖ Staggered port design for easy patching
- ❖ Port identification on front panel

Application

- ❖ LAN/WAN
- ❖ FTTx
- ❖ Telecommunications
- ❖ CATV

Specifications

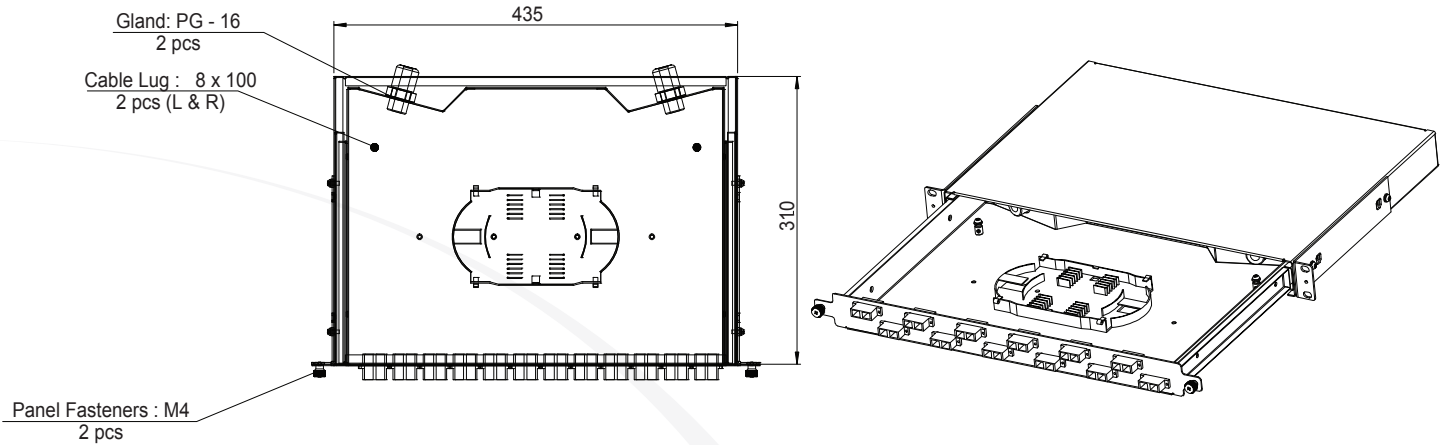
Mounting Dimensions:	19" according to IEC 297-3 specification
Cable Entry:	PG 16, 2 Ports
Panel Dimensions:	1U - 43mm(H) x 435mm(W) x 310mm(D)
Adaptor:	SC Duplex, SC Simplex, ST/FC
Sliding Mechanism:	Telescopic Rails
Body Construction:	1.2mm Steel Sheet
Powder Coated Paint:	RAL 7035



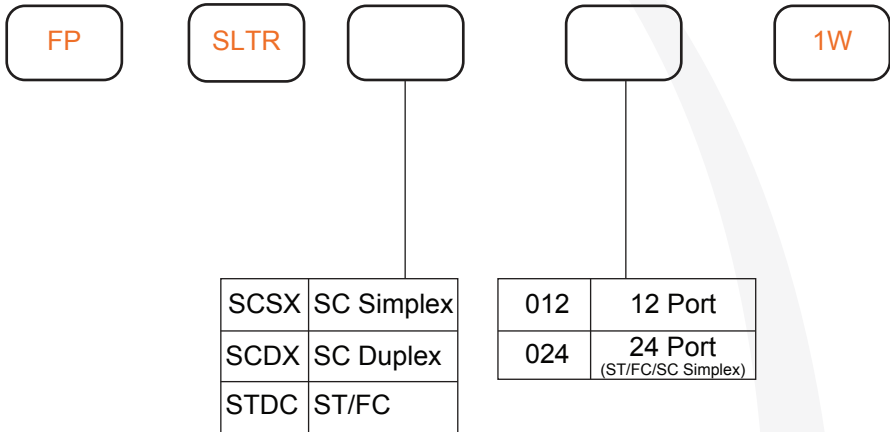
FIBER MANAGEMENT SYSTEMS



Telescopic Fiber Patch Panel - 1U



Ordering Information



Related Accessories:	
FP-AC-ST-12	12 way Stackable Splice Tray with Splice Holder and Cover
FP-AC-SB-24	24 way Splice Bridge with Adhesive Strip and Cover.
FP-AC-CG-11B	PG11 (4.5-10mm) Size Cable Gland & Back Nut, Black Nylon LSF material
FP-AC-BC	Bunny Clip
FP-AC-FMK	Fiber Management Kit consists of 1 x FP-AC-SB-24, 1 x FP-AC-CG-11 and 8 x FP-AC-BC
FP-AC-BLNK-SCSX	SC Simplex Blank Cover
FP-AC-BLNK-SCDX	SC Duplex Blank Cover
FP-AC-BLNK-DCSX	ST/FC Simplex Blank Cover