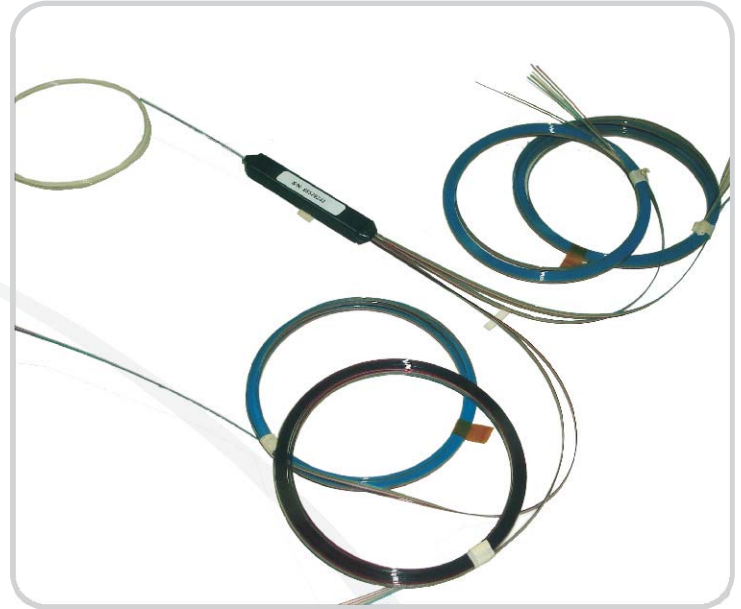


## MxN Planar Splitters

OPTERNA's MxN splitters are based on planar lightwave circuit technology and high precision alignment. MxN splitters can split or combine light from one or two fibers into N outgoing fibers uniformly over a wide spectral range with ultra low insertion loss and low polarization dependent loss. OPTERNA splitters are highly compact and offer excellent optical performance with high reliability. These splitters are fully compliant with Telcordia GR-1209/1221 and are guaranteed for performance in harsh environments.

OPTERNA splitters are available in premium and standard grades, with a wide range of pigtailed and connector options. Splitters can be provided in modules or in any other form as per requirement.

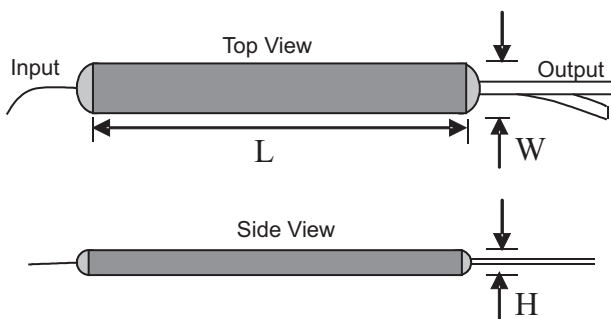
With up to 32 output ports, these splitters are ideal for high density split applications like Fiber-to-the-Home (FTTH) networks.



### Applications

- ☒ FTTx Deployments
- ☒ Optical CATV Networks
- ☒ CWDM and DWDM Systems
- ☒ Passive Optical Networks
- ☒ Fiber Communication Systems
- ☒ Telecom, LANs

### Outline Drawing



### Features

- ☒ Low Insertion Loss
- ☒ Ultra broadband performance (1260 –1630nm)
- ☒ Low PDL and PMD
- ☒ Stable towards thermal variations
- ☒ Superior port to port uniformity
- ☒ **Telcordia GR-1209 and GR-1221 compliant**
- ☒ Tested for FTTH optical high power levels (Analog Video Transmission)
- ☒ Compact packaging
- ☒ Excellent price performance ratio

### Options

- ☒ Output channel counts: 2 / 4 / 8 / 16 / 32 / 64
- ☒ Input channel counts: 1 / 2
- ☒ Packages: Light, Medium & HeavyDuty/ Box / 19" Rack
- ☒ Connectors: Any

# PASSIVE OPTICAL DEVICES

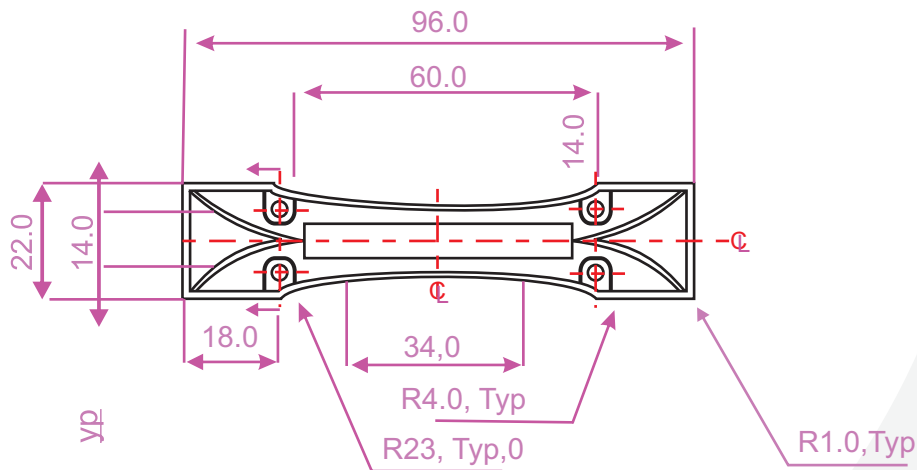
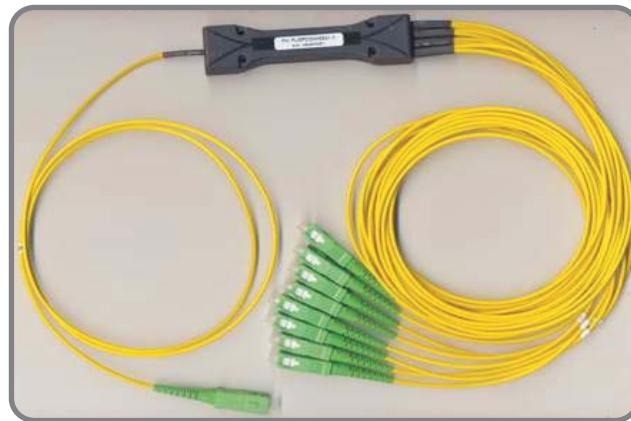


## MxN Planar Splitters

### Specifications

Port Configuration	-	1X2		2X2		1X4		1X8		1X16		1X32		1X64	2X4	2X8	2x16	2x32
Grade	-	Premium	Standard	Premium	Standard	Premium	Standard	Premium	Standard	Premium	Standard	Premium	Standard	Standard	Standard	Standard	Standard	Standard
Operating Wavelength	nm	1260-1630																
Insertion Loss (Max.)	dB	3.8	4	3.9	4.1	7.4	7.6	10.5	10.8	13.6	14	17	17.3	20.5	7.8	11.1	14.3	17.8
Uniformity (Max.)	dB	0.6	0.8	0.6	0.8	0.6	0.7	0.6	0.8	0.9	1.2	1.1	1.3	2	1.4	1.4	1.9	2.2
PDL (Max. )	dB	0.15	0.2	0.2	0.25	0.1	0.2	0.15	0.2	0.15	0.2	0.25	0.3	0.3	0.2	0.25	0.3	0.3
Return Loss / Directivity	dB	> 55																
Fiber Type	-	SMF 28e (or equivalent) / G657A																
Operating / Storage Temperature	°C	-40 to +85																
Package Dimension (LD) LxWxH	mm	40x4x4				42x5x4				50x7x4	60x12x4	48x4x4	50x5x4	58x7x4				

Note : Loss mentioned is exclusive of connector loss



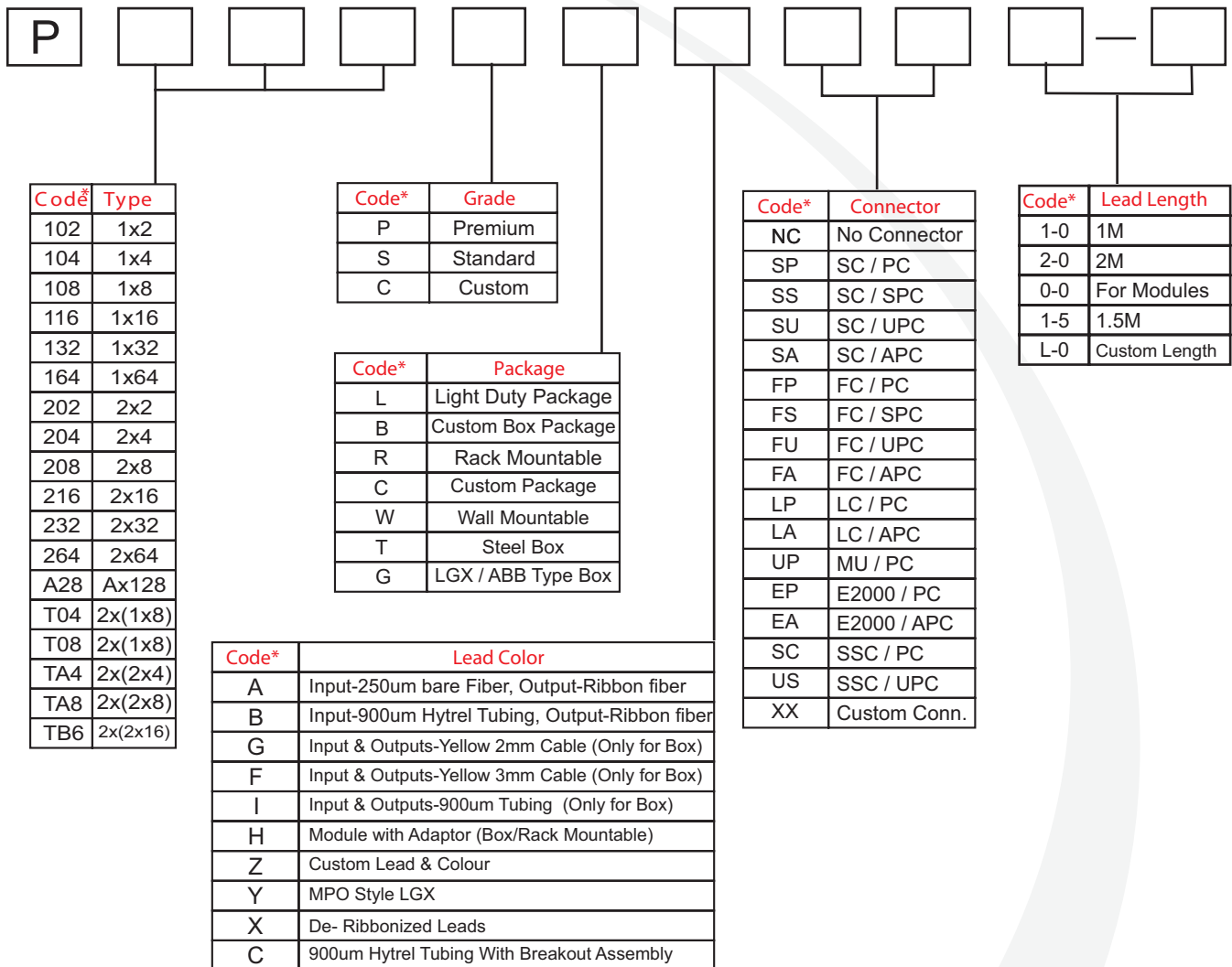
Module dimension of ruggedised versions up to 1X8

# PASSIVE OPTICAL DEVICES



## MxN Planar Splitters

### Ordering Information



Code*	Type
102	1x2
104	1x4
108	1x8
116	1x16
132	1x32
164	1x64
202	2x2
204	2x4
208	2x8
216	2x16
232	2x32
264	2x64
A28	Ax128
T04	2x(1x8)
T08	2x(1x8)
TA4	2x(2x4)
TA8	2x(2x8)
TB6	2x(2x16)

Code*	Grade
P	Premium
S	Standard
C	Custom

Code*	Package
L	Light Duty Package
B	Custom Box Package
R	Rack Mountable
C	Custom Package
W	Wall Mountable
T	Steel Box
G	LGX / ABB Type Box

Code*	Lead Color
A	Input-250um bare Fiber, Output-Ribbon fiber
B	Input-900um Hytrel Tubing, Output-Ribbon fiber
G	Input & Outputs-Yellow 2mm Cable (Only for Box)
F	Input & Outputs-Yellow 3mm Cable (Only for Box)
I	Input & Outputs-900um Tubing (Only for Box)
H	Module with Adaptor (Box/Rack Mountable)
Z	Custom Lead & Colour
Y	MPO Style LGX
X	De- Ribbonized Leads
C	900um Hytrel Tubing With Breakout Assembly

Code*	Connector
NC	No Connector
SP	SC / PC
SS	SC / SPC
SU	SC / UPC
SA	SC / APC
FP	FC / PC
FS	FC / SPC
FU	FC / UPC
FA	FC / APC
LP	LC / PC
LA	LC / APC
UP	MU / PC
EP	E2000 / PC
EA	E2000 / APC
SC	SSC / PC
US	SSC / UPC
XX	Custom Conn.

Code*	Lead Length
1-0	1M
2-0	2M
0-0	For Modules
1-5	1.5M
L-0	Custom Length