

Fiber Optic Adaptors

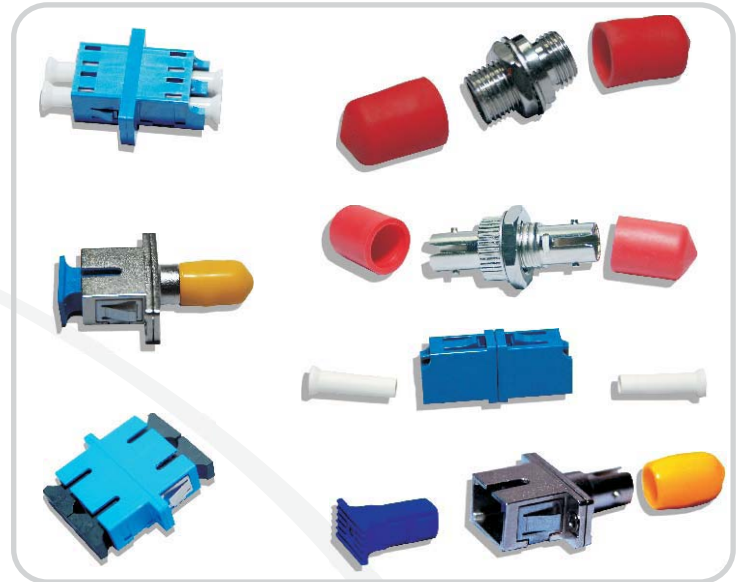
Opterna adaptors are available in simplex and duplex configurations and utilize full split ceramic or bronze phosphor sleeves. These are suitable for any intermateability application in your network, and any of the communications markets encompassing telecom, CATV, WAN, LAN and test & measurement.

Available in Multimode and Singlemode options with either a phosphor bronze or ceramic alignment sleeve for higher precision ensuring low insertion and return loss.

Opterna fiber optic adaptors are available in PC and APC versions with distinct colors for easy identification; they provide reliable solution for fiber connections. Opterna adaptors strictly conform to international standard and the fiber optic adaptors are fully compatible with the products from other manufacturers' in the market.

Features & Advantages

- ❖ Options for Multimode and Singlemode
- ❖ Higher performance ultra and angled PC connector options
- ❖ Plastic and metallic housing
- ❖ Different color codes for easy identification of adapter types: blue for singlemode UPC, green for singlemode APC and beige for multimode.
- ❖ Insertion loss: <0.2dB (connector related)
- ❖ Return loss: >45 dB (UPC)
- ❖ Return loss: >60 dB (APC)
- ❖ Mating Durability: 1000 cycles; <0.2 dB
- ❖ Temperature range: -40 + 80°C



Applications

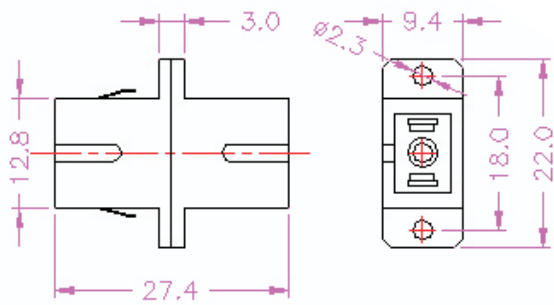
- ❖ Patchpanel and wall box connection interface
- ❖ FTTx Deployments
- ❖ Preterminated assembly interconnection
- ❖ Telecoms, CATV, LAN & WAN
- ❖ Test & Measurement set up



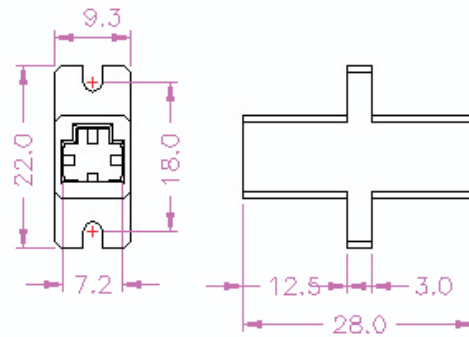
Fiber Optic Adaptors

Size & Dimensions

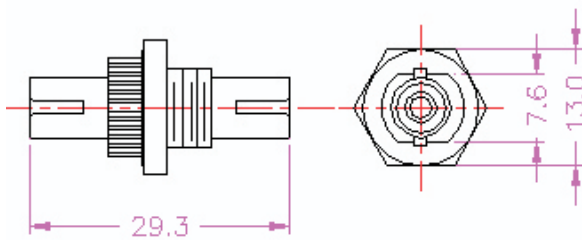
ALL DIMENSIONS IN MM



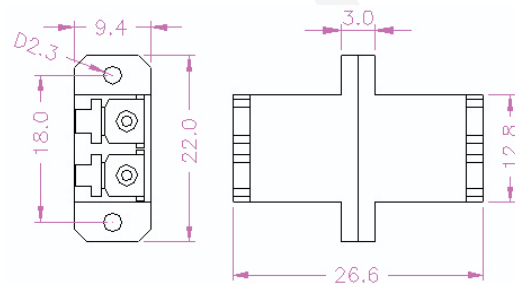
SC Simplex Adapter



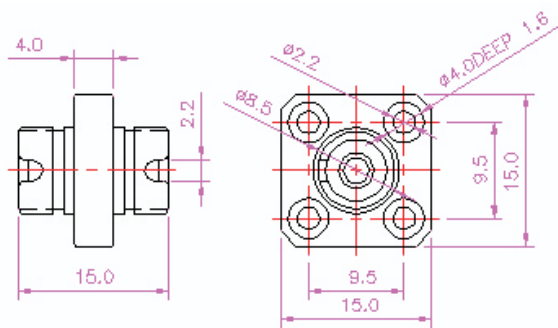
MTRJ Adapter



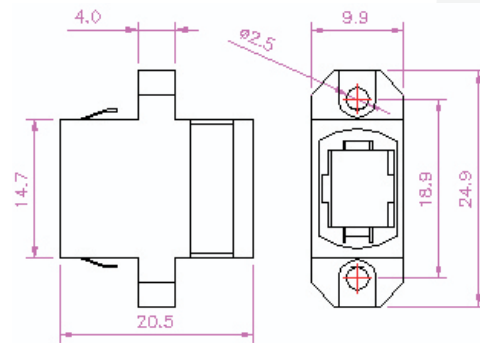
ST Adapter



LC Duplex Adapter



FC Adapter



MPO Adapter

Other drawings are available on request

Fiber Optic Adaptors

Ordering Information

