

PASSIVE OPTICAL PRODUCTS

Dead Zone Eliminator



Dead Zone Eliminators sometimes referred to as "Pulse Suppression Boxes" or "OTDR launch cords" are typically used with Optical Time Domain Reflectometers (OTDR). The boxes suppress the initial pulse when light leaves the transmitter of the OTDR enabling the OTDR to make measurements along the entire length of the fibre.

Opterna offers a range of pulse suppression boxes with fibre lengths up to 5 kms. Singlemode and multimode fibre assemblies are available with FC, SC, ST and LC connectors, including APC versions where appropriate. The Dead Zone Eliminator is available in a number of configurations to suit the optical length of your OTDRs pulse.

The Dead Zone Eliminator is now also available in rugged, lightweight and dust-proof briefcase which makes it easily portable and comes with pre-connectorised leads with sufficient length for easy connection interface.

Customized boxes are available for any need.



Features & Advantage

- ❖ Available with Bulk Head, terminated leads & bare fibre leads
- ❖ Singlemode & Multimode fibres
- ❖ Clean room terminated & tested
- ❖ Can be re-deployed – preserves initial investment
- ❖ Briefcase and rack mountable designs available.
- ❖ Terminated with your choice of standard connectors: FC, SC, ST, or LC – Simplex & Duplex – UPC/ APC finish
- ❖ Comes with all required accessories to ensure hassle free testing
- ❖ Can house up to 5kms of fibre

Applications

- ❖ Aids in testing fibre optic cable when using an OTDR
- ❖ Use as a pulse suppressor, Launch Box, delay line, installation/ testing, training, calibration
- ❖ Helps to evaluate near-end connectors and anomalies in network fibre systems
- ❖ Useful as a reference fibre in general training and testing applications.

PASSIVE OPTICAL PRODUCTS

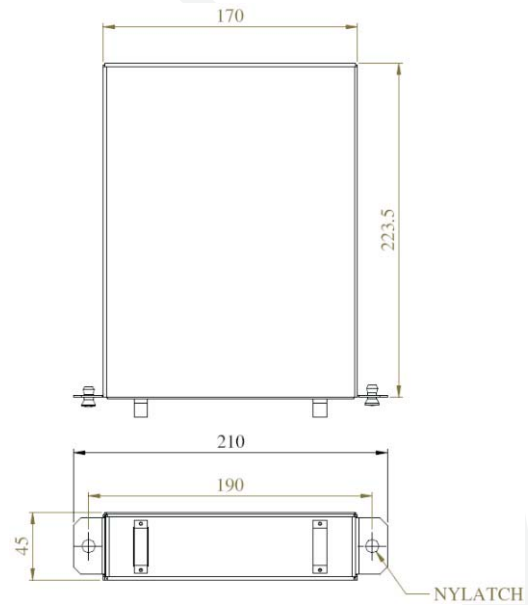
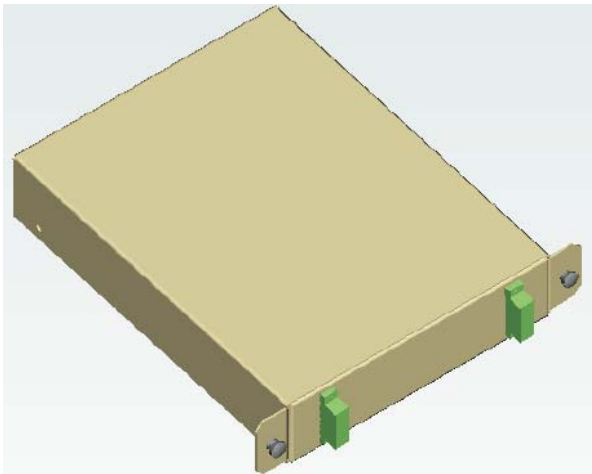


Dead Zone Eliminator

Enclosure details - Standard

Metal body	:	Aluminium 1.6mm thickness
Finish	:	Powder coated (black)
Dimensions (cms)	:	22.8 (length) X 16.6 (width) X 4.4 (height) – up to 3kms

Custom Designs



Optical Specification

Insertion Loss (MM)	:	Max. 0.75dB Typical 0.50dB @ 1300nm per km
(SM)	:	Max. 0.50dB Typical 0.40dB @ 1310nm per km
Operating Temperature	:	-40 to 70 deg. C
Mating Durability	:	1000 mating cycles

PASSIVE OPTICAL PRODUCTS



Dead Zone Eliminator

Ordering Information

