



Keystone Jack, UTP, RJ-45, Category 6

Description:

Opterna category 6 jacks are designed and manufactured to meet the current and future requirements for high bandwidth and forms an essential element of the structured cabling system.

The jack forms the part of the faceplate as well as a part of the modular patch-panel. Rear clear wire retaining caps provide additional cable strain relief.

Structural Features:

- Category identification on the front side of the jack.
- Universal color code according to T568B and T568A
- Two types of tools may be used for termination: 110 and Krone type
- Re-terminable IDC contacts that allow for wiring changes without damaging the unit.

Application:

- Horizontal Distribution & Backbone Cabling
- 4/16 Mbps Token Ring (IEEE 802.5)
- 10/100/1000 BASE-T (IEEE 802.3)
- 155 Mbps ATM
- 100 Mbps TP-PMD
- ISDN, ADSL

Specifications:

- Complies with TIA/EIA-568-B-2.1, ISO/IEC 11801(Class E), CENELEC EN 50173 category 6 requirements
- Complies to FCC Part 68 Subpart F.

Physical:

Housing:

- High Impact, flame retardant plastic, UL94V-0.

Jack Contacts:

- Phosphor Bronze plated with 50 micro-inch gold over 100 micro-inch of nickel.

IDC Contact:

- Phosphor Bronze with 100 micro-inch 9:1 Sn-Pb alloy.

Electrical Characteristics:

Current Rating:	1.5 A max
DC Resistance:	0.1 ohm maximum
Contact Resistance:	20 mOhm
Insulation Resistance:	500 Megohms



PRENET STRUCTURED CABLING SOLUTIONS



Opterna[®]
your connection

Keystone Jack, UTP,
RJ-45, Category 6

Voltage Rating: 150 V
Dielectric Withstand Voltage: 1000 V, AC RMS, 60 Hz/1 min

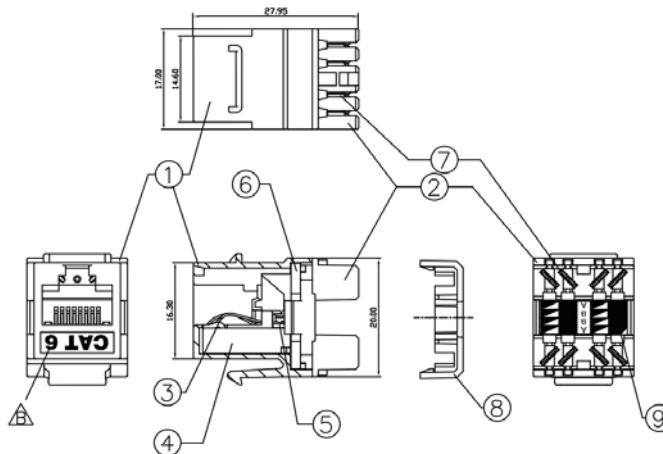
Environmental Conditions:

Temperature Range
Storage: -40 to +70° C
Operation: -10 to +60° C
Relative Humidity (Operational): Maximum non-condensing 93%

Mechanical:

Total Contact Force: 800grams
Retention: 50N
Insertion/Extraction: 750 cycles minimum
IDC Wire Gauge: 22 ~ 26 AWG

Technical Specifications :



Ordering Information :

SCS-JA-C6-UTP-BK 180° Cat 6 Keystone jack with T568A/B label, Black

Headquarters:	Canada	United Kingdom	UAE	India
4511 Singer Court, Suite 201 Chantilly, VA 20151 Ph: +1 703 653 1100, Fax: +1 703 803 8319	155 Terence Mathews Crescent Unit 5, Kanata, Ottawa Ontario K2M 2A8, Canada Ph: +1 613-599-9754 Fax: +1 613-599-9614	Witan Court, 305 Upper Fourth Street, Milton Keynes, MK9 1EH. United Kingdom Ph: +44(0) 2031 301 710	Opterna MEA Fz Co. PO Box 293862 B14 Airport Free Zone, UAE Ph: +971 42997676	Plot No. 2, Corporate Office Cochin Special Economic Zone Kakkanad, Kochi – 682 037 Ph: +91-484-2413223/2413224