

Build-Out Attenuators

Opterna Build-out Attenuators (BOA) are used in communication systems to reduce optical power, launched onto photo detectors. These high performance devices are designed to give accurate attenuation over a wide range of wavelengths. The plug type configuration allows you to use directly on the ends of the fiber jumpers and to insert directly in to the adapter.

Available in ST, FC, SC, LC, & MU styles with SPC, UPC & APC finish has ultra low return loss and superior performance.

Opterna Attenuators over the years have a name for its stability ; they provide reliable solution for fiber connections. They strictly conform to international standard and are fully compatible with the other complied products.



Features & Advantage

- ☒ All fiber technology
- ☒ Available in ST, SC, FC, LC, & MU versions
- ☒ Higher performance SPC, UPC & APC options
- ☒ Metal ion doped fiber
- ☒ Extreme stability in thermal variations
- ☒ **GR-910-CORE COMPLIANT**
- ☒ Broadband performance, Flat Spectral response
- ☒ Environmentally stable
- ☒ High Power Endurance
- ☒ Mating Durability: 1000 cycles; <0.2 dB

Applications

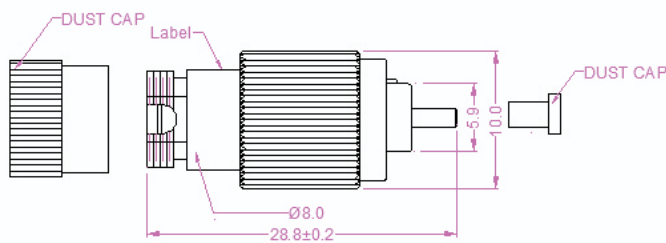
- ☒ DWDMs
- ☒ Overpowered fiber optic systems
- ☒ Long haul Telecommunications
- ☒ Telecoms, CATV, LAN & WAN
- ☒ Fiber in the loop (FITL)
- ☒ PON & Fiber Optic Communications Systems
- ☒ Test & Measurement set up

Build-Out Attenuators

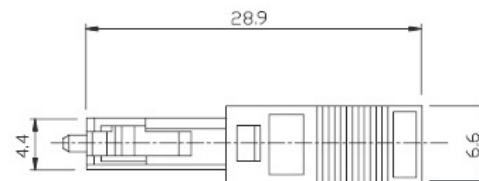
Specifications

Package type	SC, ST, FC, LC & MU	
Available Range of attenuation	1 to 30 dB with 1dB increments (or custom attenuation within this range)	
Operating Wavelength	1310nm and 1550nm (Or single wavelength)	
Operating Band pass	Digital Band (Telcordia Spec.)	1260-1360nm and 1430-1580nm
	S + C + L Band	1480-1610nm
	Special Band pass	1310±25nm and 1470-1610nm
	Single Window	1280-1340nm or 1510-1590nm
Attenuation Tolerance	Grade	
	Premium	Standard
Attenuators upto 5dB	± 0.5 dB	± 0.75 dB
Attenuators, 6 to 10dB	± 10% of attenuation	± 15% of attenuation
Attenuators, 11dB to 19dB	± 10% of attenuation	± 15% of attenuation
Attenuators, 20dB to 30dB	± 10% of attenuation	± 15% of attenuation
Reflectance, SPC	= 50 dB	
Reflectance, UPC	= 55 dB	
Reflectance, APC	= 60 dB	
Operating Temperature	-40 to +75 °C	
Storage Temperature	-40 to +85 °C	

Size & Dimensions



FC Type

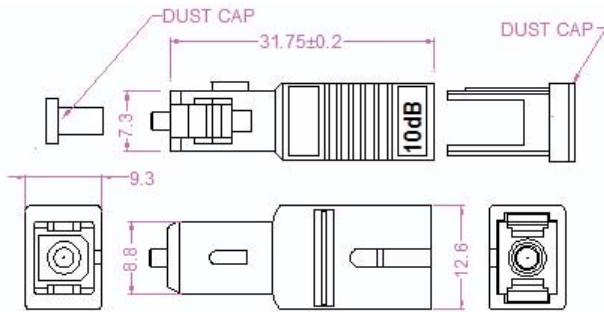


MU Type

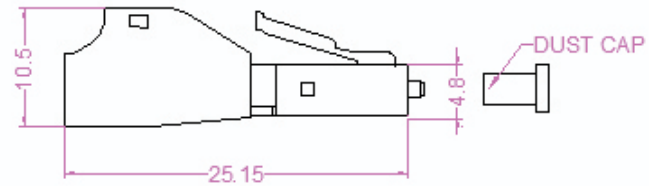
PASSIVE OPTICAL PRODUCTS



Build-Out Attenuators



SC Type



LC Type

(All dimensions in mm)

Ordering Information

