

FIBER INTERCONNECT PRODUCTS



Aerial Fiber Optic Cable (Max Span: 400m)

Description

- All Dielectric Self Supporting (ADSS) Cable for Aerial Application.
- Black PE jacketed cable is a UV-stabilized, water blocked cable for outdoor aerial applications.
- Anti-tracking Jacket is also available upon request
- Loose tube design provides stable and highly reliable transmission parameters for a variety of voice, data, video and imaging applications.
- High modulus aramid yarns provides high tensile strength and long term reliability.

Applications

- Low-voltage transmission and distribution System
- Space potential ≤ 12 kV (with PE Jacket), ≤ 24 kV (with Anti-Tracking Jacket)
- Railways and Telecommunications pole route.
- Suitable for all type of aerial lines.

Specifications

- IEC 60793 / IEC 60794, ITU-T G652D
- IEEE P1222, Telcordia GR-20-CORE

Color Identification

01 - Blue	05 - Slate	09 - Yellow
02 - Orange	06 - White	10 - Violet
03 - Green	07 - Red	11 - Rose
04 - Brown	08 - Black	12 - Aqua

Mechanical Characteristics

Storage Temperature : -40 to +70° C / Operating Temperature : -20 to +60° C

Fiber Count	Nominal* Outer diameter		Nominal* Weight		Maximum Tensile Load				Crush Load				Minimum Bend Radius			
	[mm]	[inch]	[kg/km]	[lb/1000ft]	Short Term [N]	Long Term [N]	Short Term [lb]	Long Term [lb]	Short Term [N/cm]	Long Term [N/cm]	Short Term [lb/inch]	Long Term [lb/inch]	Loaded [cm]	Installed [cm]	Loaded [inch]	Installed [inch]
6	14.0	0.55	150	101	2,700	125	220	125	220	125	110	63	28.0	11.02	14.0	5.51
12	14.0	0.55	150	101	2,700	125	220	125	220	125	110	63	28.0	11.02	14.0	5.51
24	14.0	0.55	150	101	2,700	125	220	125	220	125	110	63	28.0	11.02	14.0	5.51
36	14.0	0.55	150	101	2,700	125	220	125	220	125	110	63	28.0	11.02	14.0	5.51
48	14.0	0.55	150	101	2,700	125	220	125	220	125	110	63	28.0	11.02	14.0	5.51
72	14.0	0.55	150	101	2,700	125	220	125	220	125	110	63	28.0	11.02	14.0	5.51
96	15.4	0.61	180	121	2,700	125	220	125	220	125	110	63	30.8	12.13	15.4	6.06

Transmission Performance 1310nm / 1550nm

Max. Attenuation	(dB/km)	0.35 / 0.25
Max. Dispersion	(ps/nm-km)	3.5 / 18
Max. PMD	(ps/√ km)	0.2
Max. Field Diameter	(um)	92 ± 0.4 / 10.5 ± 1.0

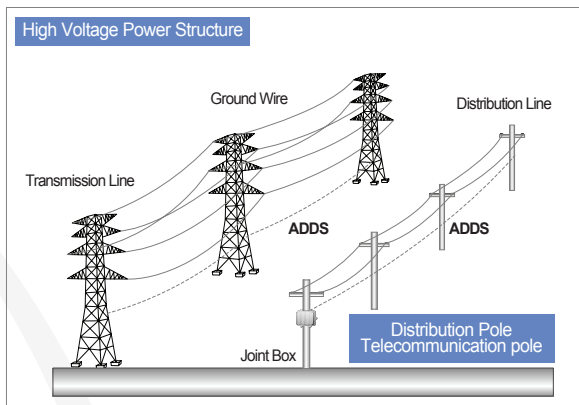
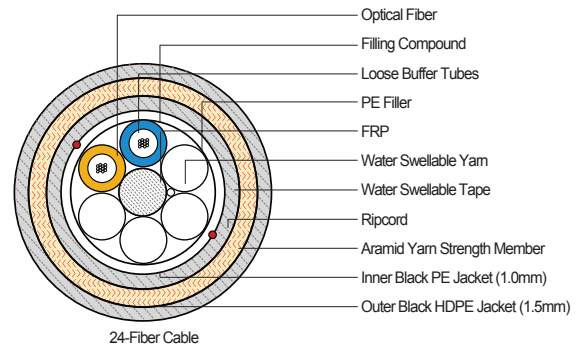
Ordering Information

FC-OS1-MLT-ADSS4-YYY-LZ
FC-OS1-MLT-ADSS4-YYY-PE

YYY : Number of Cores

Standard Reel Length	4000m
----------------------	-------

*Other Cable lengths may be available upon request



Loading / Sag Estimation

Items	Fiber Counts	Unit	Loading Estimation			
			6~72		96	
NFSC Condition Code			Medium	Light	Medium	Light
Maximum Span Length		m	400	450	400	440
Installation	Load	kg(lb)	503	566	604	664
	Sag	m(ft)	6.0	6.8	6.0	6.6
Every Day Stress	Load	kg(lb)	496	558	594	654
	Sag	m(ft)	6.1	6.9	6.1	6.7
Max. Operating Stress	Load	kg(lb)	1061	1057	1200	1192
	Sag	m(ft)	14.1	15.2	13.5	14.2
Max. Sag	Vertical	m(ft)	14.0	10.0	13.6	9.8
	Horizontal	m(ft)	10.0	16.6	9.4	15.6